



PureBB 3 phases User manual

Table of Contents

Table of Contents	1
1. General	3
1.1 Introduction	3
1.2 Limited Warranty & Limitation of Liability	4
1.3 NOTICE REGARDING PROPRIETARY RIGHTS	5
1.4 Safety Precautions	6
1.5 Unpacking Components & Accessories	7
2. Analyzer Overview	8
2.1 Introduction	8
2.2 Connections & Plugs	9
2.3 LEDs Indications	11
2.3.1 Operational LEDs	11
2.3.2 Phase check LEDs	12
2.4 Powering the Analyzer	12
3. Input Connections	13
3.1 Introduction	13
3.2 Input connections	13
3.2.1 Plugin the current clamps	15
3.2.2 Plugin the Voltage leads	16
4. Mounting the PureBB	17
5. PQZ Recording	19
6. Using the USB cable	20
7. Clock adjustment	21
8. PureBB extension module	22
8.1 Connections & Plugs	23
8.2 Attach the PureBB extension module	24
8.3 Detach the PureBB extension module	24
8.4 Powering the analyzer with the extension module	24
8.5 Charging the extension module battery	25
8.6 Connecting the LAN port	25
8.7 Connecting a Wi-Fi Dongle	25
9. Using the PQSCADA Sapphire	26
10. Upgrading the Firmware	28

11.	PQSCADA Sapphire Installation	29
11.1	License Activation	31
11.1.1	On-line activation	31
11.1.2	Off-line activation	33
12.	Specifications	37
	Appendix 1 – Modbus	38
	Creating Modbus mapping file	38
	Upload the mapping file	39
	Modbus parameters code:	40

1. General

1.1 Introduction

The PureBB is an advanced Class A power quality analyzer embedded with PQZIP Technology. It is an easy to use plug and play device that continuously records all power quality parameters without the need to set up thresholds setting or recording configuration.

When using the PureBB any installation error, such as wrong phase order, can be fixed during post-processing. The Pure BlackBox has a ride through super capacitors technology to enable continuous recording during short supply interruptions.

Power quality post recording processing and analysis are available using the free PQSCADA Sapphire Express Edition software via drag and drop of recorded PQZ data files.

Recorded information is saved in a non-volatile memory SD card which is accessed either via the device USB slot, connected to a PC, or by inserting the SD card in a reader connected to a PC.

Key Features

- Light weight, hand-held portable PQ Analyzer
- Continuous waveform recording at 256 Sample/Cycle 50/60Hz
- Class A devices IEC61000-4-30
- Configuration FREE Device
- Easy USB connectivity to PC
- SD card slot hot swap

Please refer to the PQSCADA Sapphire's user manual, located on the PureBB Manual USB drive, for more information. The manual provides instruction for installation and use, as well as general instructions for connecting to Elspec power quality analyzers.

1.2 Limited Warranty & Limitation of Liability

Each Elspec product is under warranty to be free from defects in material and workmanship under normal use and service. The warranty period is for one year and commences on the date of shipment. Parts, product repairs, and services are under warranty for 90 days. This warranty extends only to the original buyer or end-user customer and it does not apply to fuses, disposable batteries, or to any product which, in Elspec's opinion, has been misused, altered, neglected, contaminated, or damaged by accident or abnormal conditions in the operation or handling of the product. Elspec guarantees that the software will operate substantially in accordance with its functional specifications for 90 days and that it has been properly recorded on non-defective media. Elspec does not guarantee that the software will be error free and operate without interruption. Elspec authorized re-sellers shall extend this warranty on new and unused products to end-user customers only, but do not have authority to extend a greater or different warranty on behalf of Elspec. Warranty support is available only if the product is purchased through an Elspec authorized sales outlet or Buyer has paid the applicable international price. Elspec reserves the right to invoice the Buyer for any importation costs for the repair/replacement of parts when the product purchased in one country is submitted for repair in another country. Elspec's warranty obligation is limited, at Elspec's option, to refund of the purchase price, free of charge repair, or replacement of a defective product which is returned to Elspec within the warranty period. For warranty service, contact Elspec directly to obtain a return-authorization. On receipt of the authorization, return the product to Elspec with a description of the problem, including prepaid postage and insurance (FOB destination). Elspec assumes no risk for damage in transit. Following warranty repair, the product will be returned to the Buyer, transportation prepaid (FOB destination). If Elspec determines that the failure was caused by neglect, misuse, contamination, alteration, accident, or abnormal condition of operation or handling, including overvoltage failures caused by use outside the product's specified rating, or normal wear and tear of mechanical components, Elspec will provide an estimate of repair costs and obtain authorization before commencing work. Following repair, the product will be returned to the Buyer, transportation prepaid, and the Buyer will be billed for the repair and return postage transportation charges (FOB Shipping Point). This warranty is the Buyer's sole and exclusive remedy and is in lieu of all other warranties, express or implied, including but not limited to any implied warranty of merchantability or fitness for a particular purpose. Elspec shall not be liable for any special, indirect, incidental, or consequential damages or losses, including loss of data arising from any cause or theory. Since some countries or states do not allow limitation of the term of an implied warranty, or exclusion or limitation

of incidental or consequential damages, the limitations and exclusions of this warranty may not apply to every buyer. If any provision of this Warranty is held invalid or unenforceable by a court or other decision-maker of competent jurisdiction, such holding will not affect the validity or enforceability of any other provision.



1.3 **NOTICE REGARDING PROPRIETARY RIGHTS**

This publication contains information proprietary to Elspec. By accepting & using this manual, you agree that the information contained herein will be used solely for the purpose of operating equipment developed & manufactured by Elspec.

1.4 Safety Precautions

We, Elspec Engineering Ltd. Conduct the following Routine tests as part of the production line: -Dielectric strength test between mains and ground, test voltage 2120Vdc or 1500Vac -Grounding continuity between earth pin of the appliance inlet and earth pin of the appliance outlet

Kindly review & take all the necessary safety precautions prior to proceeding.

 WARNINGS 
Protection provided by the equipment can be impaired if used in a manner not specified by the manufacturer
Review the entire manual before using the instrument and its accessories
Observe all warnings and cautions
Do not operate the instrument around explosive gas or vapor
Avoid working alone
Before use, inspect the instrument, leads and accessories for mechanical damage, and replace when needed
Pay special attention to the insulation surrounding the connectors and plugs
Remove all accessories that are not in use
Make sure the instrument is properly grounded to a protective earth ground
Do not insert power or any other connectors above the rating of the instrument as shown on the name plate
During installation, ensure that the device is completely disconnected from any live points and/or plugs
Do not insert metal objects into connectors and openings
Never open the instrument's enclosure during operation; Dangerous voltages are present
Do not expose the instrument to extreme moisture and or rain
do not operate the instrument or its accessories when found wet for any reason
When permanently installed, make sure to keep margins of 20cm from any electrical apparatus.
It is recommended, when possible, to install the device in a dedicated cabinet.

1.5 Unpacking Components & Accessories

The following items are included in your Analyzer Kit:

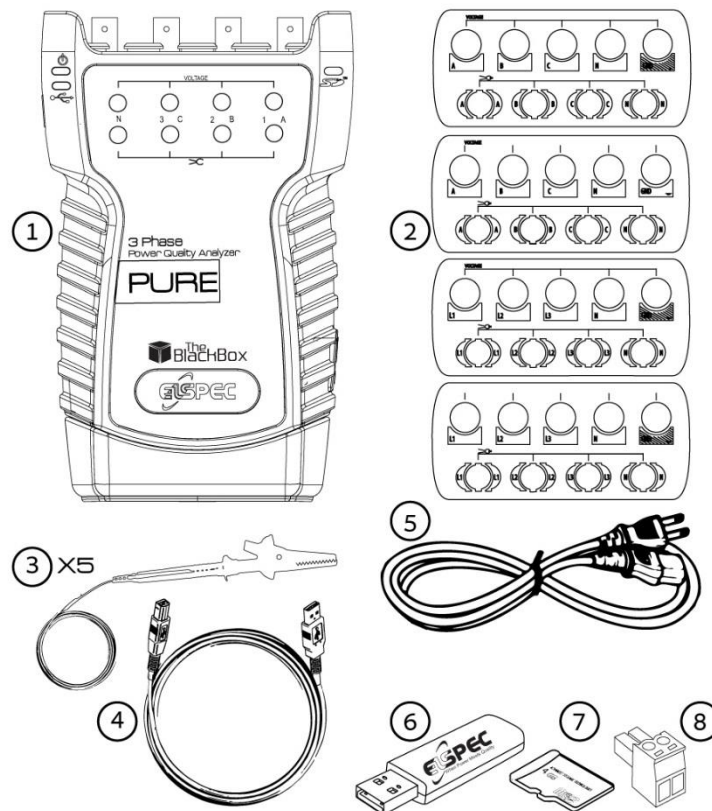


Figure 1-1. Contents of Analyzer Kit

#	Description
1	Pure 3 Phase BlackBox Power Quality Analyzer
2	Customized lexan according to country's requirements
3	5 Voltage Cord with Crocodile Clip + Fuse (3M)
4	USB Cable type A male to type B male 1.5m black
5	Power Cable for Europe 10A/230V, straight, 1.8M, Black / Power Cable for America 10A/125V, straight, 1.8M, Black
6	Elspec BlackBox Installation USB drive
7	4GB Micro SD card
8	2 Pin Terminal Block Connector

2. Analyzer Overview

2.1 Introduction

This chapter deals with a number of general aspect of the analyzer's operation:

- Physical layout of the controls & indicators
- Led indications
- Powering the analyzer

2.2 Connections & Plugs

The PureBB 3 phases has the following connections & Plugs:

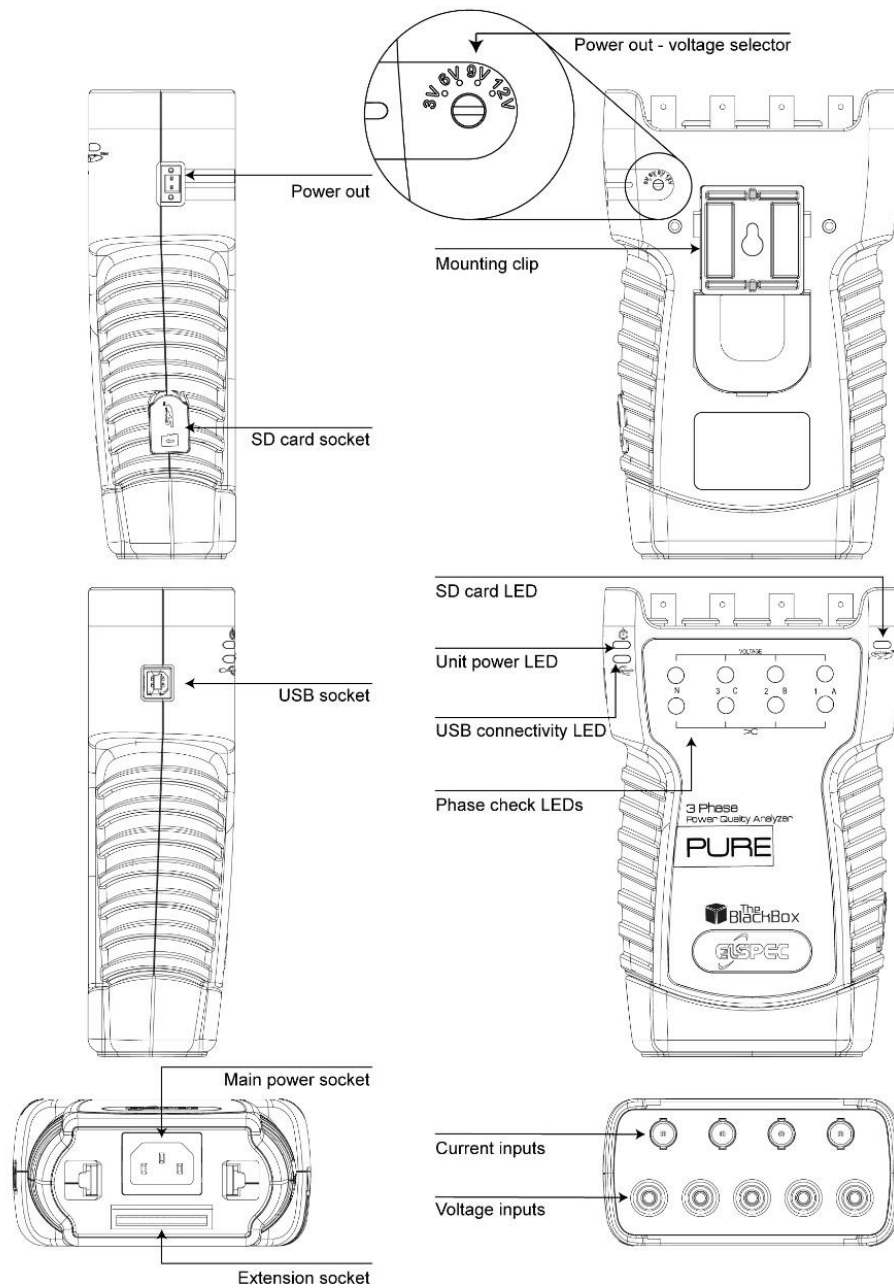


Figure 2-1. The analyzer connection & plugs

- Voltage inputs – 5 X banana female sockets for voltage inputs.
- Current input – 4 X BNC connectors. These inputs accept LV signals of $\pm 10V_{Peak}$. Only SELV circuits can be connected to these inputs.
- Power out – The PureBB can supply 3-12V DC at up to 100mA/1W to an external device. To adjust the output voltage level, switch the voltage selector to the required voltage level as defined in the device's data sheet. Only SELV circuits can be connected to this input.
- SD card socket – insert the micro SD card supplied with the analyzer. The PureBB support any standard microSD card at a size of up-to 32GB.
- Main power socket – insert the power cable supplied with the analyzer to power up the analyzer.
- Extension socket – 50 pins connector used to extend the PureBB communication capabilities and battery power supply.

2.3 LEDs Indications

2.3.1 Operational LEDs

The PureBB have 3 operational bi-color (green/red) LEDs – Unit Power, USB connectivity and SD card. These LEDs provide the following information:

Power LED:

Led Status	Description
Solid Green	The analyzer in powered-up and working well
Blinking Green	N/A
Solid Red	<ul style="list-style-type: none">• Carnell is initializing (during analyzer initializing process).• DSP Error.
Blinking Red	<ul style="list-style-type: none">• System is initializing (during analyzer initializing process).• FW Upgrade is in process (SD LED will be blinking as well)

USB connectivity LED:

Led Status	Description
Solid Green	USB connection detected
Blinking Green	N/A
Solid Red	N/A
Blinking Red	N/A

SD card LED:

Led Status	Description
Solid Green	N/A
Blinking Green	Recording is O.K
Solid Red	<ul style="list-style-type: none">• No micro SD card• Corrupted micro SD card
Blinking Red	Not recording, USB connected

2.3.2 Phase check LEDs

The PureBB have 8 bi-color phase check LEDs, one green/red LED for each current/voltage input. These LEDs provide the following information:

	Voltages	Currents
Off	The corresponded input measures a THD value that is higher than 200% or RMS value that is less than 0.4% of its full scale. Voltage full scale – 2,000V _{Peak} .	The corresponded input measures a THD value that is higher than 200% or RMS value that is less than 0.4% of its full scale. Current full scale – 10V _{Peak} .
Green	all 3 phases detected and are in the right phase order	signal is detected and phase angle is in line to the corresponded voltage channel
Blinking Green	Phase order is correct but less than 3 phases are connected	The corresponded Voltage channel is off
Red	Phase order is incorrect	Phase angle is not in line with the corresponded voltage channel.
Blinking Red	1 of the phases amplitude is significantly lower than the other	Polarity is reversed

2.4 Powering the Analyzer

Connect the female end of the Power Cable to the Main Power Supply socket of the unit.

Connect the male plug end of the Power Cable to the electrical supply outlet.

Wait for approx. 1min for the analyzer to be initialized. At the end of the initializing process the unit power led should be solid green and the SD card led should be blinking green.

3. Input Connections

3.1 Introduction

This chapter explains how to make connection to the system under test. Check that the Analyzer setup meets the characteristics of the system under test and the accessories that are used. The PureBB doesn't required any setups or configuration on site.

3.2 Input connections

The Analyzer has 4 BNC-inputs for current clamps and 5 banana-inputs for voltages. Customized lexans are supplied corresponding to wiring color codes used in the USA, Canada, Continental Europe, the UK, and China. Stick the lexan that fit to your local wiring codes around the current and voltage inputs as shown in Figure 3-1.

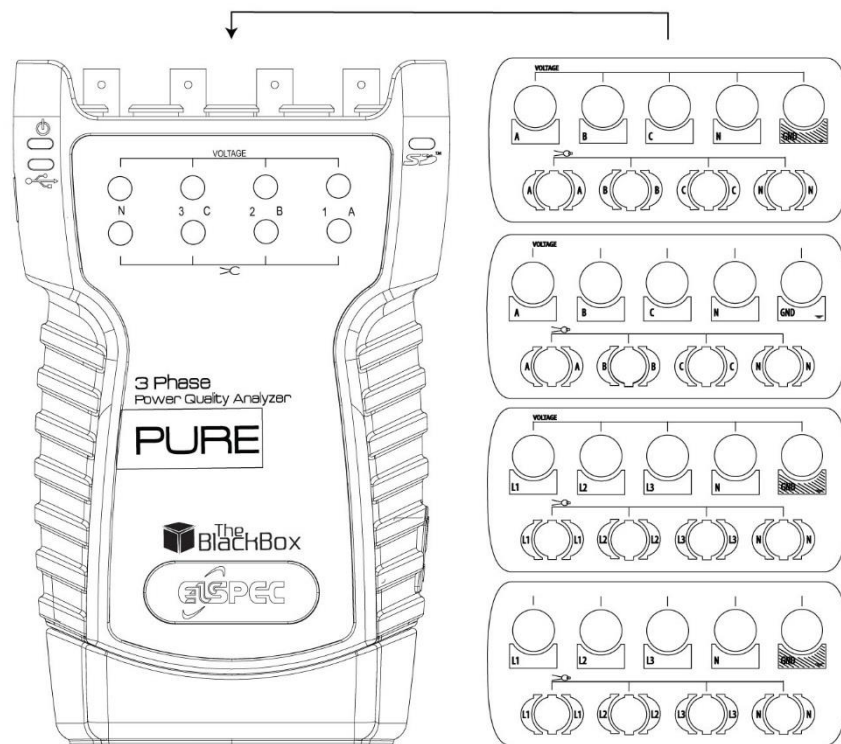


Figure 3-1. Mounting the lexan for voltage and current inputs.

De-energize power systems before making connections whenever possible. Always use appropriate equipment for personal protection. Avoid working alone and work according to the warnings listed in Chapter 1, Safety Precautions.

For a 3-phase system make the connections as shown in Figure 3-2.

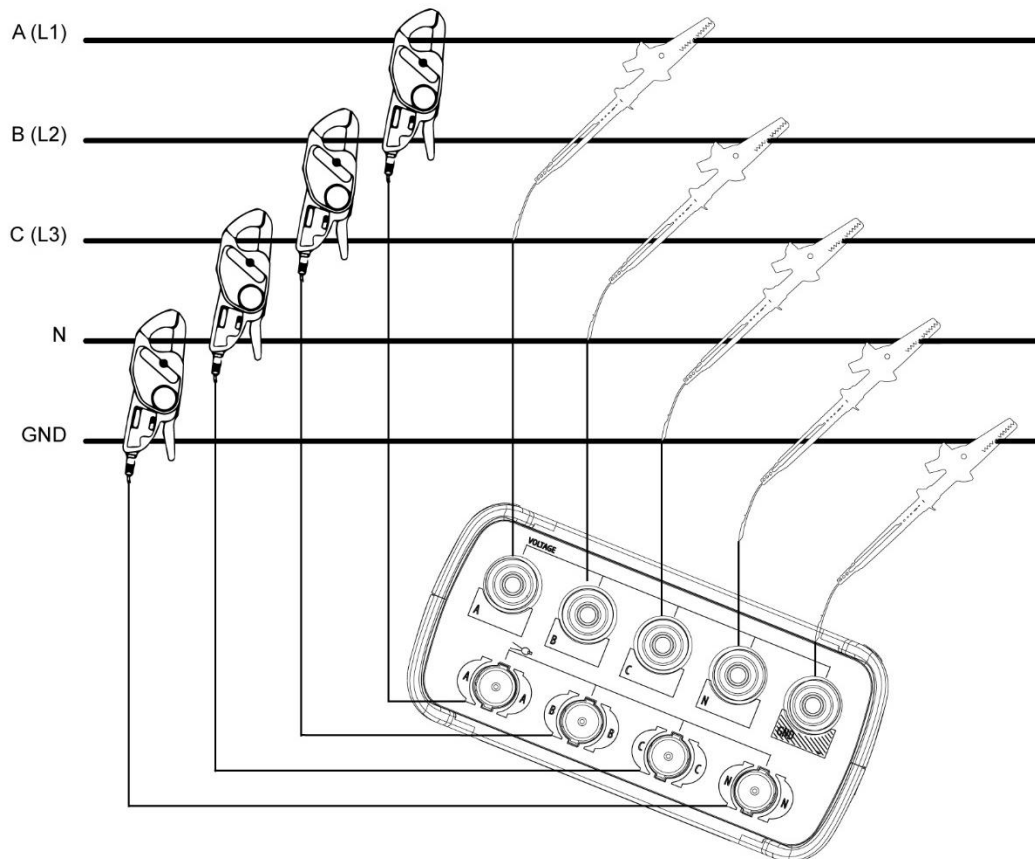


Figure 3-2. Connection of analyzer to 2-phase system

Notes:

- For single phase L-N measurements, use current input A (L1) and the voltage inputs Ground, N (neutral), and phase A (L1). For correct measuring results, connect the ground to B (L2), and C (L3).
- For single phase L-L measurements, use current inputs A (L1), B (L2) and the voltage inputs Ground, N (neutral), phase A (L1) and B (L2). For correct measuring results, connect the ground to C (L3).
- For DC measurement, use current inputs A (L1) with DC current clamp, and the voltage inputs Ground and phase A (L1). For current measuring results, connect the ground to N(neutral), B (L2, and C (L3).

3.2.1 Plugin the current clamps

You may use any clamp (either Elspec / Custom clamps). The clamps convert current to low voltage ($\pm 10V_{Peak}$).

First put the current clamps around the conductors of phase A (L1), B (L2), C (L3), and N (neutral). The clamps are marked with an arrow indicating the correct signal polarity.

Plug in the Current clamps into the applicable sockets located on the upper panel.

Make sure that current clamps are secured and completely closed around the conductors.

The PureBB supports various current clamps and can supply 3-12V DC at up to 100mA/1W to these devices. To adjust the output voltage level, switch the voltage selector at the back of the analyzer to the required voltage level as defined in the clamp's data sheet.

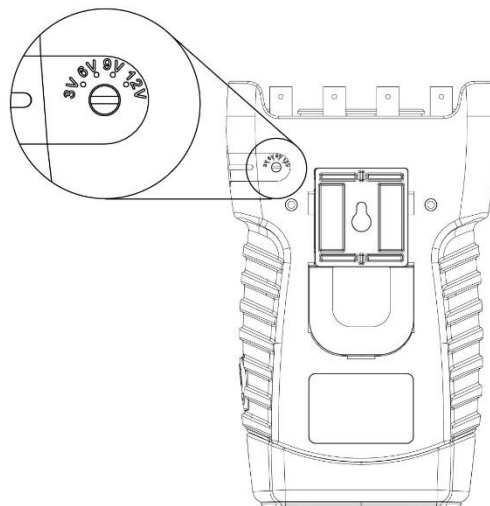


Figure 3-3. Power out voltage selector

Specification	PureBB 3 phase
Maximum Voltage Input (continuous)	$7V_{Peak}$ from clamp
Nominal Voltage Range	$3V_{Peak}$ from clamp
Maximum Peak Measurement Voltage	$10V_{Peak}$ from clamp
Burden	0.05VA (Typical) @ 5 IRMS
Bandwidth (50Hz/60Hz)	6.4kHz/7.68kHz
Nominal Frequency	40-70Hz

3.2.2 Plugin the Voltage leads

Next make the voltage connections: start with Ground and then in succession N, A (L1), B (L2), and C (L3). For correct measuring results, always connect the Ground input.

Always double-check the connections.

Specification	PureBB 3 phase
Voltage Input	600VAC CAT IV, 1000VAC CAT III
Nominal Voltage Range	110/230/690 V
Maximum Peak Measurement Voltage	2kV
Input Impedance	10M Ω
Bandwidth (50Hz/60Hz)	6.4kHz/7.68kHz
Nominal Frequency	40-70Hz

4. Mounting the PureBB

The PureBB analyzer must be installed in an approved electrical panel or enclosure, following proper installation practices according to the local electrical codes.

Adjust the mounting clip to the analyzer

The mounting clip has two sides: Din rail mounting and screw mounting hole as shown in figure 4-1.

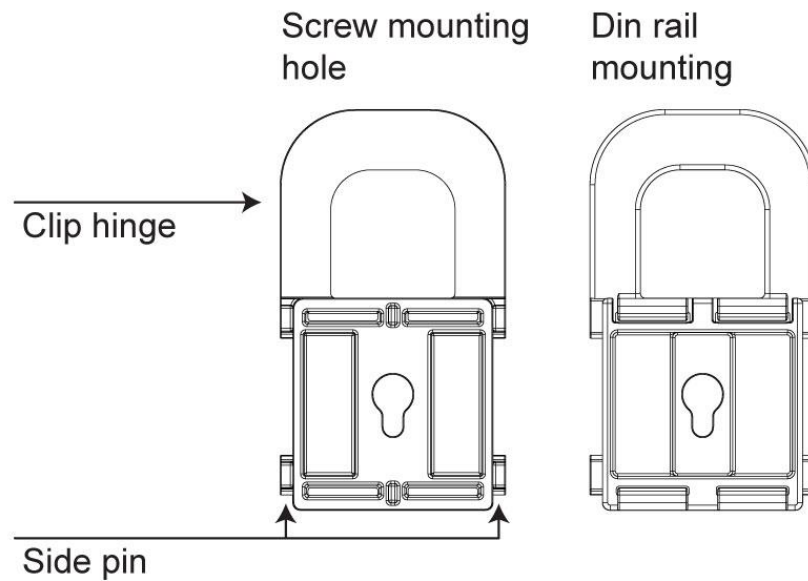


Figure 4-1. Mounting clip

To detach the mounting clip, lift the clip hinge outside the analyzer surface and pull backward as shown in figure 4-2.

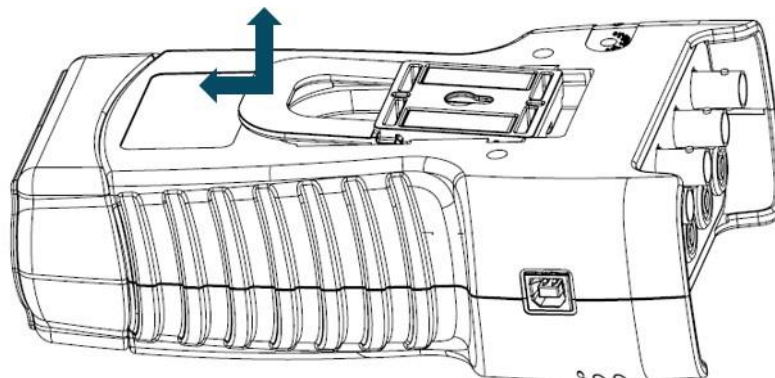


Figure 4-2. Unfasten the mounting clip

To attach the mounting clip, insert the clip's side pins in the designated notches. Then Push the mounting clip down and forward as shown in figure 4-3.

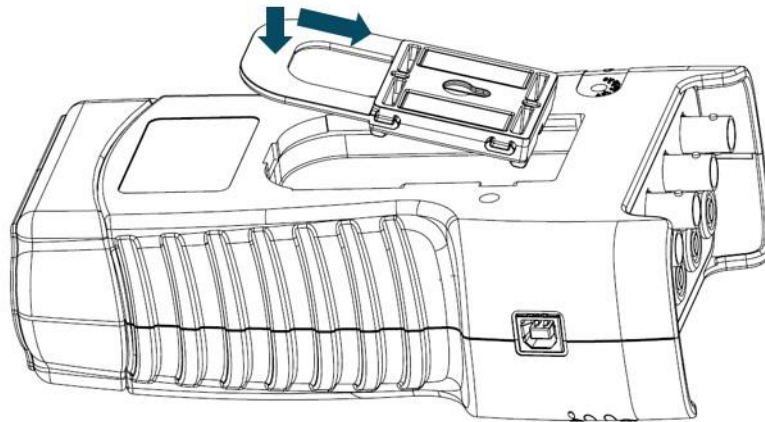


Figure 4-3. Fasten the mounting clip.

Din rail mounting

To mount analyzer to DIN rail, first locate the approximate position you would like to place the analyzer on the DIN-rail, then hook upper end of mounting clip to edge of DIN-rail. Then lower the opposite end (latch end) of the clip onto the rail. Press down on the module until the latch end snaps in place.

Screw mounting hole

Hang the analyzer on the screw and let it settle into place by pushing it slightly downwards. Please ensure that it is firmly in place.

5. PQZ Recording

The PureBB is able to continuously record & store all the electrical waveforms at 256 sample/cycle, on board for more than a year, with no gaps in the data. The innovation behind this capability is the PQZIP compression technology. The patented PQZIP enables you to store up to a 1000 times more information than typical formats, allowing for storage of complete & precise data over extended periods of time.

The PQZ recording is enabled by default. The analyzer start recording once the initializing process has finished and the SD card LED is blinking green.

PQZ files are stored on the PureBB's micro SD card based on the FIFO (First In First Out) concept. As such, when the on-board memory becomes full, the oldest files are deleted automatically to free required space for the newest data.

6. Using the USB cable

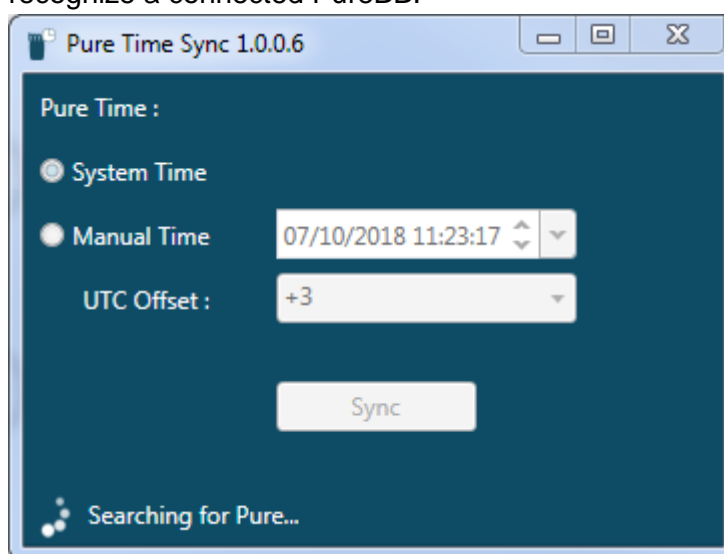
This section describes how to connect the analyzer to a computer when importing PQZ files to the computer or to PQSCADA Sapphire.

1. Plug in the supplied USB cable into the USB socket on the computer.
2. Connect the other end of the USB cable to the analyzer's USB socket.
3. Wait for the analyzer to complete initialization.
4. The message that appears on the screen differs depending on the computer's operating system or software installed in the computer. If a window to select a program or application appears, select Open Device to view files.
5. If the AutoPlay window does not pop-up automatically, click the Start button, go to "My Computer," and select the PureBlackBox driver.
6. Click on the PQZ_ folder. Folder are sorted by year/month/day.
7. Drag and drop the files/folder into PQSCADA Sapphire Investigation module.

7. Clock adjustment

This section describes how to adjust the analyzers' internal clock using the USB cable and the Time Sync Utility.

1. Download the Time Sync utility from Elspec [website](#)
2. Plug in the supplied USB cable into the USB socket on the computer.
3. Connect the other end of the USB cable to the analyzer's USB socket.
4. Wait for the analyzer to complete initialization.
5. Open the Time Sync Utility and wait few second for the utility to recognize a connected PureBB.



6. Select System Time to Sync the PureBB to the computer time or Manual Time to enter date, time and UTC offset.
7. Click the Sync button and wait few second to complete the operation.
8. Verify that the displayed Pure Time has being adjusted to the new time.

8. PureBB extension module

The PureBB extension module has two main functionalities:

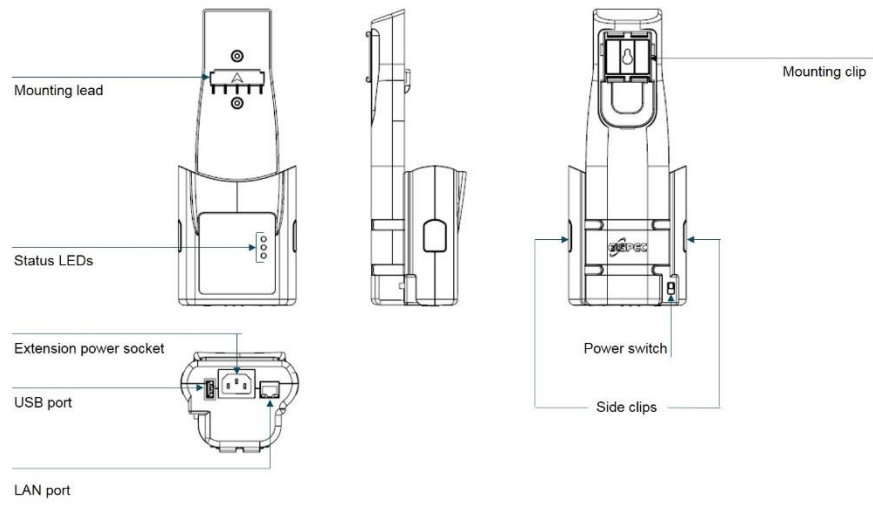
1. Extend the device communication capabilities
2. Battery backup power

This chapter deals with a number of general aspect of the extension module operation:

- Physical layout of the extension module
- Powering the analyzer
- Charging the extension module battery
- Attaching the extension module to the analyzer
- Connecting the LAN port
- Using a Wi-fi Dongle

8.1 Connections & Plugs

The PureBB extension module has the following connections & Plugs:



8.2 Attach the PureBB extension module

1. Detach the mounting clip from the analyzer as describe in [chapter 4](#) of this manual
2. Attach the mounting clip to the PureBB extension module as describe in [chapter 4](#) of this manual.
3. Detach the connector cover from the bottom of the analyzer by pooling it backward.
4. To attach the extension module, place the extension module on top of the analyzer and let the mounting lead settle into place, then push forward until the extension module snaps in place as shown in figures 7-2.

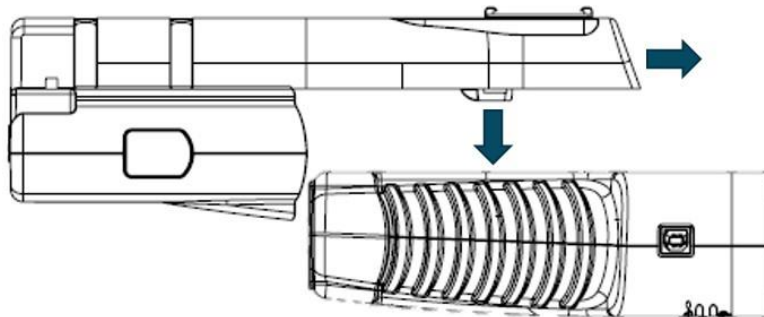


Figure 7-2. Attach the extension module

8.3 Detach the PureBB extension module

1. Press the side clips and pull backward the extension module.
2. Reattach the connector cover.
3. Reattach the mounting clips.

8.4 Powering the analyzer with the extension module

The extension module is equipped with a built in rechargeable battery that allows 5-8 hours of continuous operation without the need to connect it to an electrical supply outlet.

Attach the extension module to the analyzer as describe in [chapter 7.2](#) of this manual.

Switch on the extension power switch.

Wait for approx. 1min for the analyzer to be initialized. At the end of the initializing process the unit power led should be solid green and the SD card led should be blinking green.

8.5 **Charging the extension module battery**

The extension module battery can be charged while the analyzer is attached, or detached.

Connect the female end of the Power Cable to the Extension Power Supply socket.

Connect the male plug end of the Power Cable to the electrical supply outlet.

Battery charging starts once the Power Cable is connected.

8.6 **Connecting the LAN port**

The extension module includes 1 LAN port to connect the PureBB with PQSCADA Sapphire.

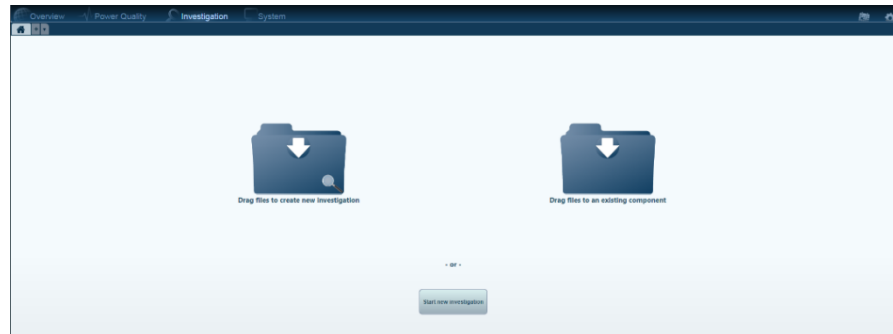
DHCP is enabled by default. If DHCP server is unavailable the fallback IP address is 169.254.249.248.

8.7 **Connecting a Wi-Fi Dongle**

9. Using the PQSCADA Sapphire

When PQSCADA Sapphire starts at the first time, the Investigation module is opened on the home screen.

To start new Investigation, Drag and drop supported files into the *Drag file to create new investigation* folder.



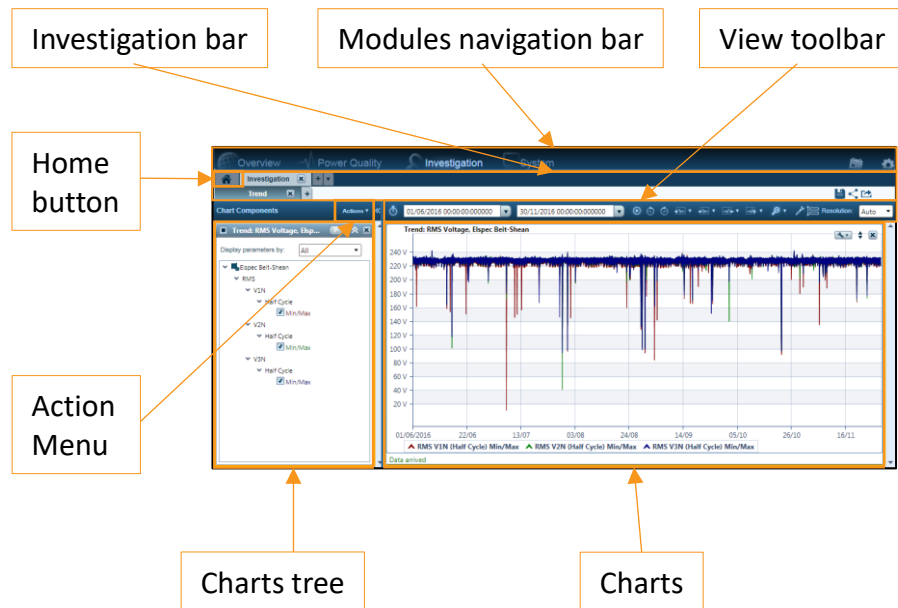
Multiple files can be opened if you hold down the SHIFT or CTRL keys and click on another filename(s).

On the *Network & Device Configuration* window, set the required configurations.

The following window displays with the PQSCADA Sapphire menus and buttons for accessing frequently used features.

New Investigation is opened based on predefined templates (For templates editing, refer to PQScada Sapphire manual).

The following window displays with the PQSCADA Sapphire menus and buttons for accessing frequently used features.



The *Investigation module* screen is divided into two main sections: the left section displays the *Charts tree*, and the right section displays charts - in the selected view. These sections are divided by the splitter control (a vertical line between the sections).

The position of the splitter control can be changed by clicking and dragging the splitter control to the left or right with a pointing device. The *Charts tree* section can be hide by clicking *Hide parameters tree* on the upper right corner of the *Charts tree* section.

Investigations and Views are displayed as Tabs in the *Investigation bar*.

10. Upgrading the Firmware

1. Turn off the PureBB analyzer.
2. Unplug the SD card from the analyzer and plug it to your PC using an SD card reader.
3. Upload the FW upgrade file (Pure_fs_UX.XX.XX.img) into the main SD card partition.
4. Unplug the SD card from the PC and insert it back into the PureBB device.
5. Turn on the analyzer and wait for the Unit Power and SD card LEDs to blink red alternately– this means that the upgrade process has begun.
6. Once the upgrade process is done, the LED's will stop blinking and the device will reboot itself.
7. An additional reboot might occur as well after the first reboot is completed.
8. In order to make sure the new FW version was actually installed, take a *.pqz file recorded by the device after the FW upgrade and open it using the PQSCADA Sapphire.
9. Go to System window, select the relevant investigation on the left and check in General tab that the Product Version is the same as the FW version you installed.

11. PQSCADA Sapphire Installation

Download

Download PQSCADA Sapphire set-up file from Elspec [website](#).

Double click on *Elspec Sapphire Setup v1.x.x.xx* file to run the setup wizard.

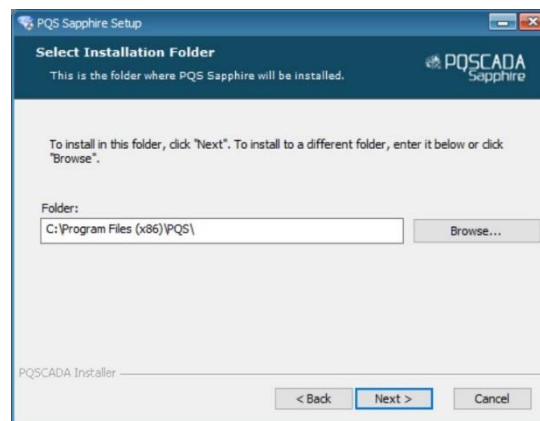
Welcome page



Click *Next* to start the installation.

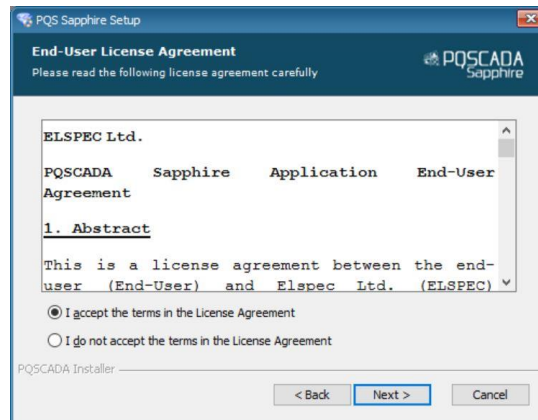
Installation folder

Select the installation folder and click *Next*.



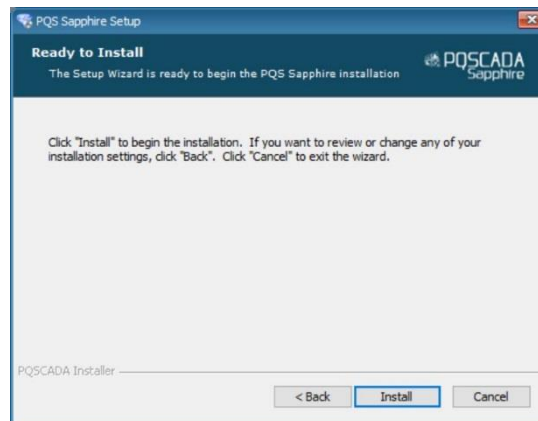
License agreement

Once the license agreement is read and approved, select *I accept the terms in the license agreement* option and click *Next*.



Install

Click *Install* to start the installation process.



Wait while the program is installing

Finish

Check the *Launch sapphire* box and click *Finish* to start working.



11.1 License Activation

11.1.1 On-line activation

Step 1: Select License Activation Mode

On the *License Activation Mode*, select On-line by downloading the license.



Upgrade License.

Select License Activation Mode

On-line by downloading the license

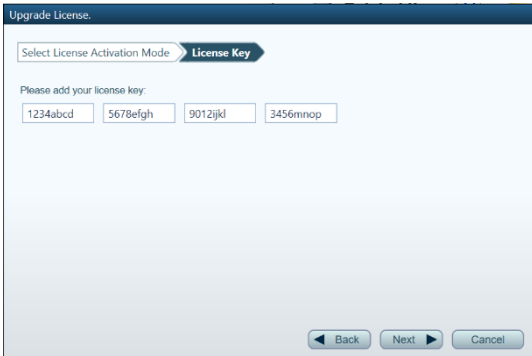
By email (no internet connection)

Back Next Cancel

Click *Next* to go to the *License Key* page.

Step 2: License Key

On the *License Key* page, enter your license ID in the field provided. It is recommended to copy and paste the ID to avoid problems distinguishing letters and numbers.



Upgrade License.

Select License Activation Mode License Key

Please add your license key:

1234abcd 5678efgh 9012ijkl 3456mnop

Back Next Cancel

Click *Next* to run the activation.

On a successful license activation, click *Close*.

Step 3 (enterprise edition only): service installation

With Enterprise edition license ID, PQSCADA Sapphire service installation wizard will open automatically. On the PQSCADA Sapphire service installation wizard, do the following:

1. On the welcome page Click *Next*
2. Read and agree to the End-User license agreement
3. Select the installation folder and click *Next*.
4. Click *Install* to start the installation process. Wait while the program installs.
5. Click *Finish* to close the installation wizard.

Step 4 (enterprise edition only): create Instance DB

1. Open PQSCADA Sapphire
2. On the System module, right click the server Instance and select create server.
3. On the Database page, configure the following options:

DB Type – SELECT the database type in which PQSCADA Sapphire will store the data. PQSCADA Sapphire supports two DB types:

- SQLite.
- MS SQL server (MSSQL).

If MSSQL was selected, configure the following options:

- DB URL – enter the DB URL, or click *Browse*, to search for SQL service in your network.
 - DB user name: enter you DB user name.
 - Password: enter your DB password.
 - Check the *save as default* to keep these settings as default. You can use *set default*, to fill in the default settings in the future.
 - Click *Test*, to verify the connection with the DB.
4. Click *add* to close the wizard.

11.1.2 Off-line activation

Launch *Upgrade License* wizard by clicking on the *Setup* menu then select *Install/Upgrade* license.

Activation for enterprise edition must run on the server machine.

Step 1: Select License Activation Mode

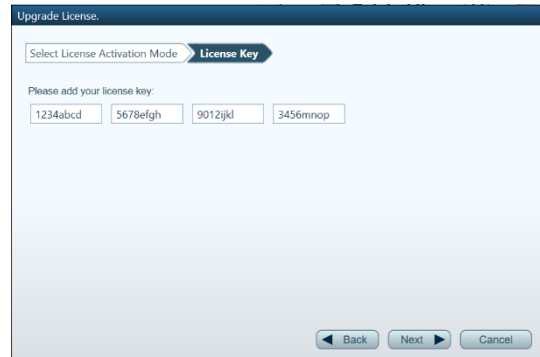
On the *License Activation Mode*, select *by email (No internet connection)*.



Click *Next* to go to the *License Key* page.

Step 2: License Key

On the *License Key*, enter your license ID in the field provided. It is recommended that you copy and paste your ID to avoid problems distinguishing letters and numbers.

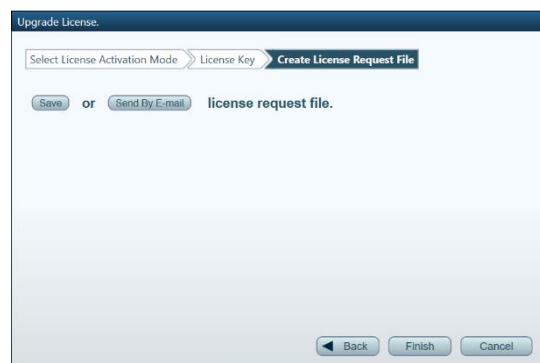


Click *Next* to go to *Create License Request File*.

Step 3: Create License Request File

On the *Create License Request Files* page, select one of the following:

- *Save* – To open Windows explorer to select a place to store the *license request file*.
- *Send By Email* – To open your default email client to send the *license request file*.



Click *Finish* to close the wizard.

Step 4: create license file

1. Copy the license request file to computer with internet connection.
2. Browse to Elspec [licensing website](#).
3. On Elspec licensing website, click *ACTIVATE LICENSE* on the top right corner of the screen.
4. Drop the license request file into the designated window.
5. Download the license file to your local computer.

Step 5: activate the license file

Copy the license file into the PQSCADA Sapphire computer.

Launch *Upgrade License* wizard by clicking the *Setup menu* and select *Install/Upgrade* license.

On the *License Activation Mode*, do the following:

1. Select *By email (No internet connection)*.
2. Click *I have a license file* to open Windows explorer and select the license file.



Click *Close*.

Step 6 (enterprise edition only): service installation

With Enterprise edition license, PQSCADA Sapphire service installation wizard will open automatically. On the PQSCADA Sapphire service installation wizard, do the following:

1. Click *Next* on the welcome page
2. Select the installation folder and then click *Next*.
3. Click *Install* to start the installation process. Wait while the program is installing.
4. Click *Finish* to close the installation wizard.

Step 7 (enterprise edition only): create Instance DB

1. Open PQSCADA Sapphire
2. On the System module, right click the server Instance and select create DB.
3. On the Database page, configure the following options:

DB Type – SELECT the database type in which PQSCADA Sapphire will store your data. PQSCADA Sapphire supports two DB types:

 - SQLite.
 - MS SQL server (MSSQL).

If MSSQL was selected, configure the following options:

 - DB URL – enter the DB URL, or click the *Browse button*, to search for SQL service in your network.
 - DB user name: enter you DB user name.
 - Password: enter your DB password.
 - Check the *save as default checkbox* to keep these settings as default. You can use the *set default button*, next time to fill in the default settings.
 - Click the *Test button*, to verify the connection with the DB.
4. Click *add* to close the wizard.

12. Specifications

SPECIFICATIONS	
Voltage Inputs	4 channels, 600VAC CAT IV, 1000VAC CAT III
Current Channels	4 channels Voltage output CTs (0-10V peak)
Line Frequency	40-70Hz
Waveform Sampling	46,080 Hz
Measurements	Continuous PQZ file
Accuracy	IEC 61000-4-30 Class A
LED Indicators	11 Bi-color LEDs
COMMUNICATION	
USB	PQZ file download, FW upgrade & clock setting
LAN	Available in extension module
POWER	
Power Supply	100-240VAC 50/60Hz 10W 5VDC over USB
Battery	Available in extension module
Ride through	15sec
MECHANICAL	
Operating Temperature	-20 to + 65 °C (*)
Humidity	5% to 95% non-condensing
Maximum Operation Altitude	2,000m (1.24Mi)
IP protection	IP 40 (**)
Weight	0.4kg
Dimensions	180 x 115 x 60
STORAGE	
Nonvolatile memory	SD card supporting hot swap
SYNCHRONIZATION	
Internal clock	10 ppm
External synchronization	NTP available in extension module

(*) T>60°C requires an external power supply

(**) The product is intended for indoor use

Appendix 1 – Modbus

It is possible to fetch instantaneous data using a Modbus TCP/IP protocol. The purpose of this chapter is to describe how to read parameters via the Modbus protocol.

Creating Modbus mapping file

The Modbus mapping file is a CSV file, where the column are separated in spaces. For each function code it required to have a separate file. The PureBB support function code 3 and 4. The file include 3 column as follow:

1. [Mandatory] Parameter code
2. [Optional] address in function code 4 without offset, for automatic addressing use "-"
3. [Optional] description of the parameter on this line.

The file name for function code 4 is modbus4.csv

The file name for function code 3 is modbus3.csv

Example 1:

Mapping V1 RMS 10min average value (parameter code: 0x5A004081) from address 30000:

```
0x1A000081 0 V1 RMS 10min
```

Example 2:

Mapping V1 RMS 10min average value to address 40120:

```
0x1A000081 120 V1 RMS 10min
```

Example 3:

Mapping V1 RMS 10min average value to address 40120 and V2 RMS 10min (parameter code: 0x5A00C081) average to address 40124:

```
0x1A000081 120 V1 RMS 10min
```

```
0x1A000082 - V2 RMS 10min
```

Upload the mapping file

1. Turn off the PureBB analyzer.
2. Unplug the SD card from the analyzer and plug it to your PC using an SD card reader.
3. Upload the mapping file into the main SD card partition.
4. Unplug the SD card from the PC and insert it back into the PureBB device.
5. Turn on the analyzer and wait for the Unit to be initialized.

Modbus parameters code:

Name	Code
V_AN	0x5A004081
V_BN	0x5A00C081
V_CN	0x5A014081
V_N	0x5A01C081
V_AB	0x5A02C081
V_BC	0x5A034081
V_CA	0x5A03C081
I_AN	0x5A000081
I_BN	0x5A008081
I_CN	0x5A010081
I_N	0x5A018081
P_AN	0x5A000032
P_BN	0x5A008032
P_CN	0x5A010032
P_TOTAL	0x5A020032
Q_AN	0x5A000033
Q_BN	0x5A008033
Q_CN	0x5A010033
Q_TOTAL	0x5A020033
THDV_AN	0x5A004086
THDV_BN	0x5A00C086
THDV_CN	0x5A014086
THDV_AB	0x5A02C086
THDV_BC	0x5A034086
THDV_CA	0x5A03C086
UNBALANCE	0x4E820041
FREQ	0x21340081
PST_AN	0x5A00409A
PST_BN	0x5A00C09A
PST_CN	0x5A01409A

PST_AB	0x5A02C09A
PST_BC	0x5A03409A
PST_CA	0x5A03C09A