

1. TECHNICAL SPECIFICATIONS

Mechanical specifications

Dimensions (L x W x H): 210 x 60 x 35mm
 Weight: 385g

General specification

Ax1 ring current: AC current on L conductor direct measurement
Ax10 ring current: x10 multiplier for low AC current measurement
mA L-N ring current: indirect/differential leakage current on L-N conductors
mA PE ring current: direct leakage current on PE conductor
V-N-PE sockets: V-N and V-PE voltage measurements

Power supply

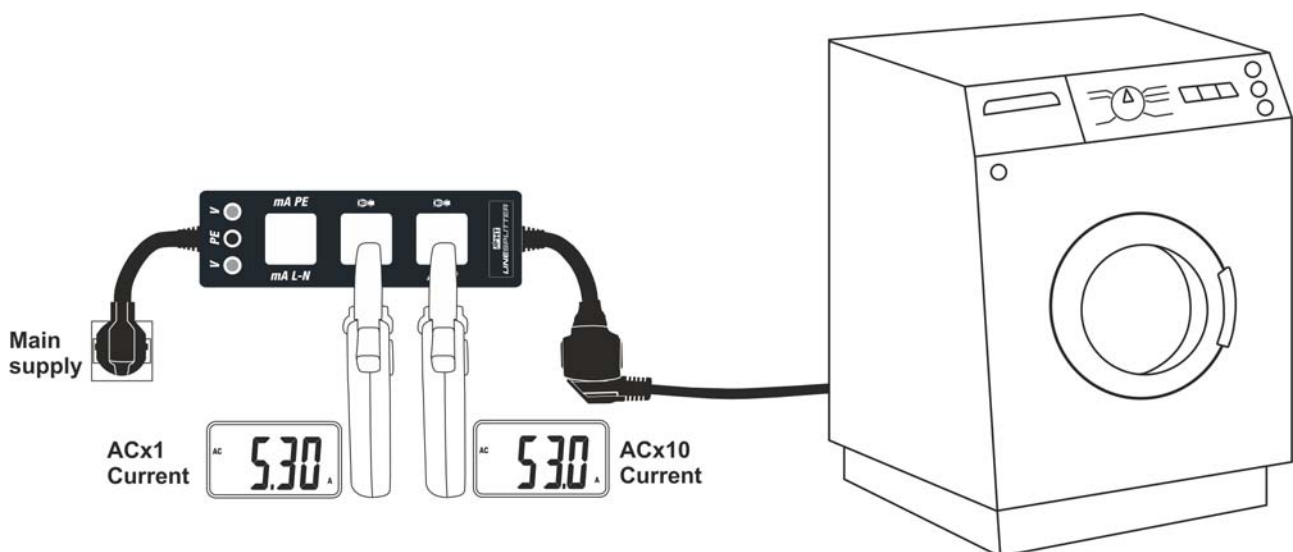
Main supply: 230VAC ($\pm 10\%$), 240VAC ($\pm 10\%$) 50/60Hz
 Main connection: integrated Schuko plug, 50cm length
 Load connection: integrated Schuko plug
 Max load current: 16A
 Safety: IEC/EN61010-1, IEC/EN61010-02-030
 Measurement category : CAT II 240V
 Max operating altitude: 2000m

Environmental conditions

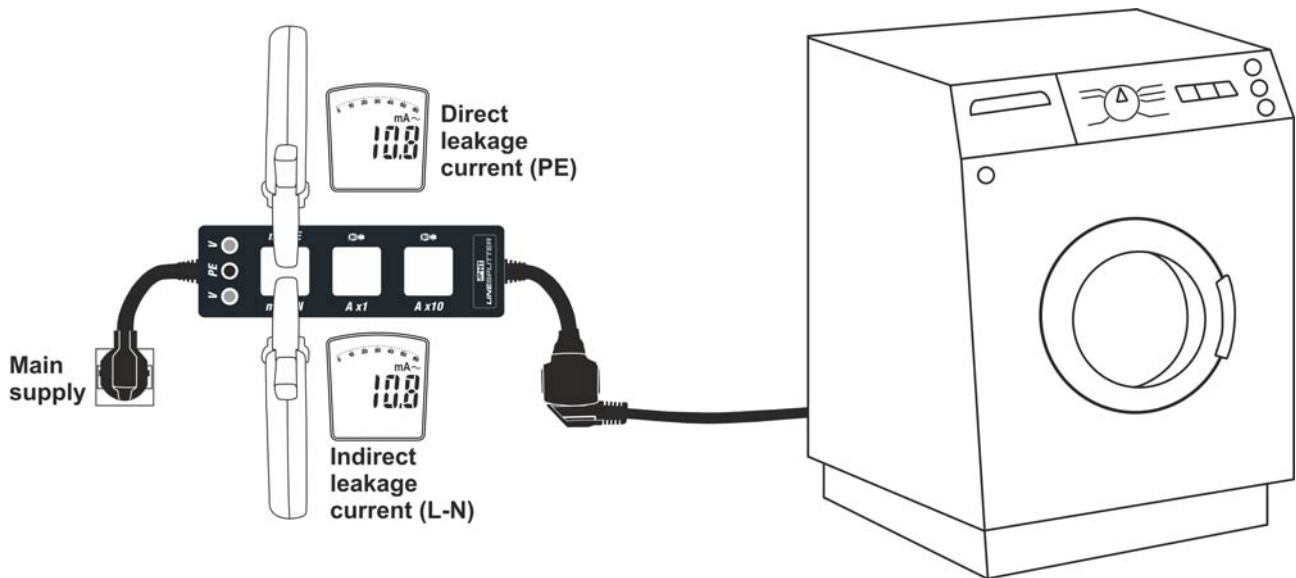
Operating temperature/humidity: $-20^{\circ}\text{C} \div 40^{\circ}\text{C} / <80\%\text{RH}$
 Storage temperature/humidity: $-20^{\circ}\text{C} \div 60^{\circ}\text{C} / <80\%\text{RH}$

This instrument complies with requirements of Low Voltage Directive 2014/35/EU (LVD) and of EMC Directive 2014/30/EU
 This instrument complies with requirements of European Directive 2011/65/EU (RoHS) and 2012/19/EU (WEEE)

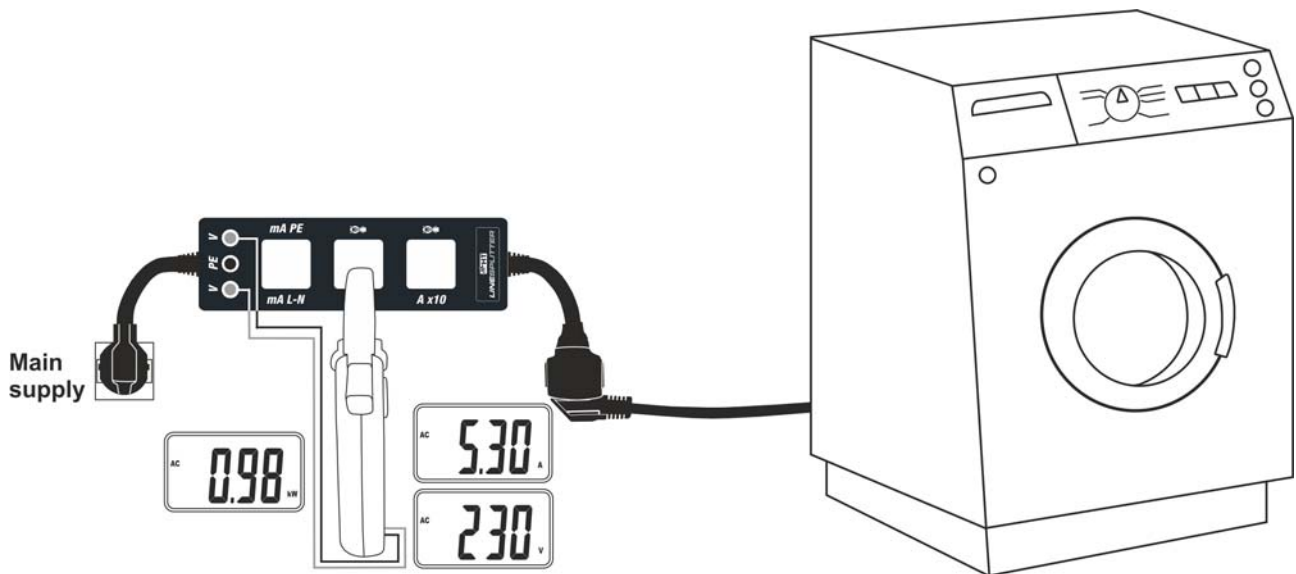
2. APPLICATIONS



Use of the instrument for line current measurement



Use of the instrument for leakage current measurement



Use of the instrument for current, voltage and power measurement