



7 Troubleshooting

No response from light ring

- Make sure no objects have been obstructing the wave sensor. Wait 30 minutes and retry.
- If the power indicator is blinking red, the battery level is too low for the light ring to work. Replace batteries according to specifications.

Not able to connect to "my device"

- Make sure you have the detector within range. Bluetooth range is 10-15 meters / 30-50 feet.
- Check if Bluetooth is turned on.
- Check if the power indicator is blinking.

To snooze the high radon level alert:

- Follow directions in app.
- Wave in front of the detector.

My app is not updated when running in background mode. Make sure:

- open the app manager and verify the app is open and running in the background.
- you are within Bluetooth range periodically.

8 Technical Specifications

Power supply:	2x AA alkaline (LR6) or Energizer L91 batteries
Dimensions:	Radius: 120 mm (4.72 in) Height: 36 mm (1.42 in)
Weight:	219 g (incl. 2x E91 batteries)
Operational and storage environment:	
Temperature:	+4 °C (39 °F) to +40 °C (104 °F)
Relative humidity:	< 85 %
Initial Accuracy/Precision at 100 Bq/m ³ (2.7 pCi/L):	
7 days	< 20 %
1 month	< 10 %
Measurement range:	0 Bq/m ³ to 50000 Bq/m ³ (0 pCi/L to 1350 pCi/L)

9 Safety

The Airthings Wave is intended for indoor use only. Avoid direct exposure to sunlight for long periods. Avoid exposure to direct heat sources. For a correct use, make sure the detector is operating in the specified temperature range (see technical specifications).

Exposure to high humidity might permanently alter the detector sensitivity, or damage it.

Do not disassemble. If the detector does not work as specified or you are in doubt, contact your local dealer or visit us at airthings.com.

Use a dry cloth to clean the detector.

When replacing batteries, pay attention to the polarity marks. Use AA alkaline (LR6) batteries or Energizer L91 (Li-FeS₂O) for longer battery life (as supplied). Do not use other Lithium batteries or chemistries than those specified above.

Disposal: caution shall be used when handling Lithium batteries. Lithium batteries might explode if mechanically damaged or overheated.

Always snap the mounting bracket to the detector's rear side to protect the batteries, even when the detector is not permanently mounted.

10 Limited liability

The instrument is tested and quality-assured by production. It meets the accuracy values set out in the specifications.

It is recommended to keep the instrument constantly activated and the batteries in place until drained.

Airthings AS shall not be liable for damages related to failure or loss of data arising from incorrect operations and handling of the instrument.

Terms & Conditions:
airthings.com/terms-use-privacy/

For other languages or any other question go to: support.airthings.com

The Bluetooth® word mark and logos are registered trademarks owned by the Bluetooth SIG, Inc. and any use of such marks by Airthings is under license.

Copyright Airthings AS

Please read the manual carefully before using the product

1 Welcome

We want to thank you for trusting Airthings. This is not only an investment in you and your family's health, this is also helping us build a future where radon detectors are as common as smoke detectors.

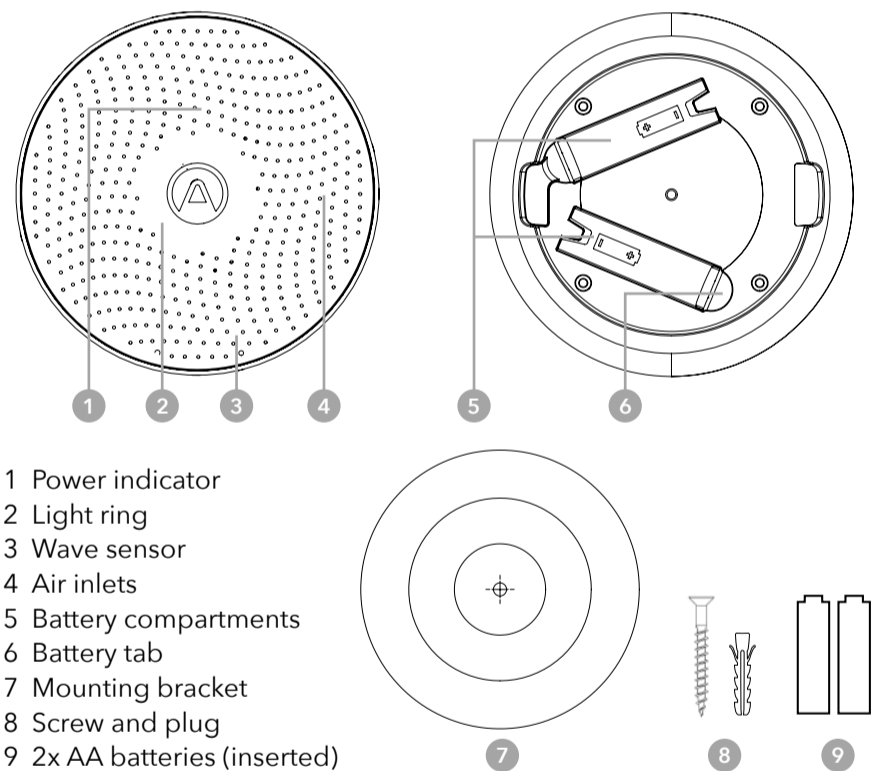
By keeping track of your radon levels, you can make healthier decisions regarding your bedrooms, living rooms and your indoor ventilation. Reducing your exposure to radon will reduce your risk of lung cancer.

The Airthings Wave will provide you with detailed information about radon, temperature and humidity levels on your phone. Wave in front of the detector for immediate radon levels.

We hope you will use your knowledge to help keep more people safe from radon.

Sincerely,
The Airthings Team

2 Features and content



- 1 Power indicator
- 2 Light ring
- 3 Wave sensor
- 4 Air inlets
- 5 Battery compartments
- 6 Battery tab
- 7 Mounting bracket
- 8 Screw and plug
- 9 2x AA batteries (inserted)

Power indicator:

- Flashing dot every 20 seconds.
- Green: Battery level is ok.
 - Blue: Bluetooth connection active.
 - Red: Replace batteries.

Light ring:

- Visual indication of your radon levels.
- Green: Good
 - Yellow: Warning
 - Red: Danger
- See separate section for more details.

Air inlets:

This is where air comes into your detector. Keep it unobstructed.

Audio/alarm:

Receive an audio alert from your detector when radon levels are above recommended level. Audio settings can be customized in the app.

Wave sensor:

Simply wave in front of your detector to activate the light ring. In case of audio alerts, wave in front of the detector to snooze.

Tap:

Gently knock on your detector to start pairing or check connection status.

3 Install and run setup in app

You may use your Airthings Wave stand-alone, but the free Airthings app for smartphones and tablets will provide a richer user experience and more insight.

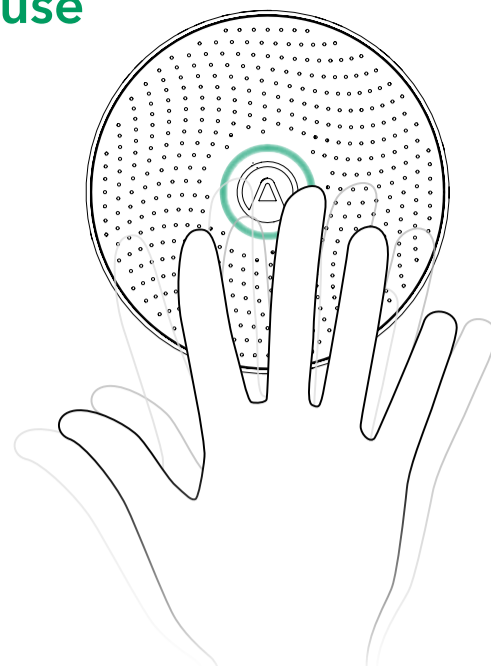
The app is easy to install and use.

- 1 Download and open app
- 2 Create an account
- 3 Follow instructions

For supported smart phones and tablets go to the support section on: support.airthings.com/

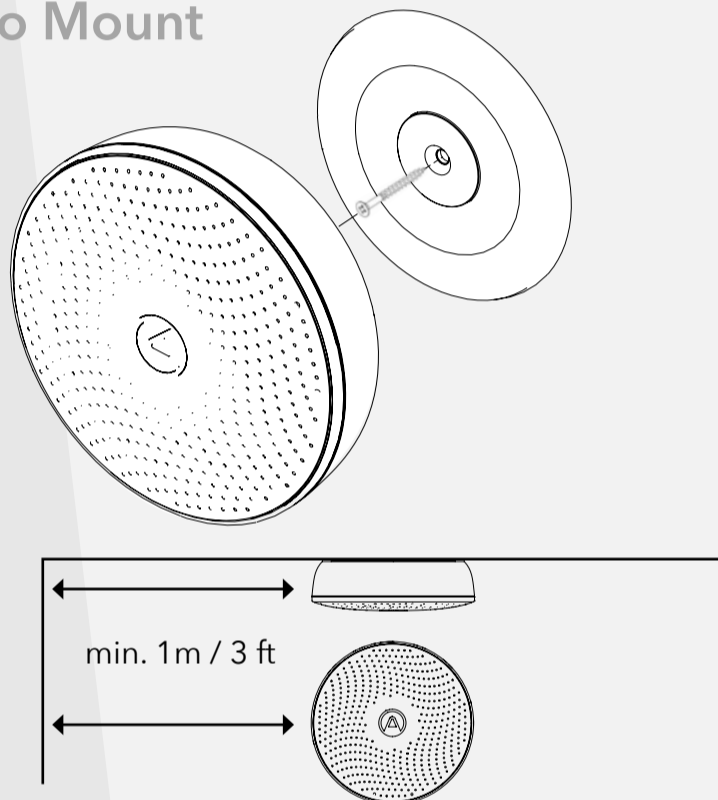


5 Daily use



Wave in front of your detector and a light ring will glow for a few seconds to indicate your radon levels.

4 Easy to Mount



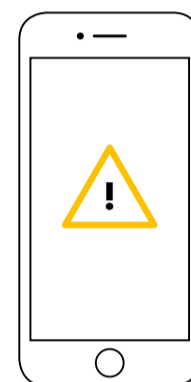
Fix the mounting bracket to the ceiling or wall. Make sure you use appropriate screws for your wall type. The screws included are intended for wood or concrete walls. Do not place it close to vents or windows. Minimum 1 meter / 3 feet distance.

Thanks to the built-in magnet, simply snap the unit onto the mounted bracket. Then rotate it to the desired position.

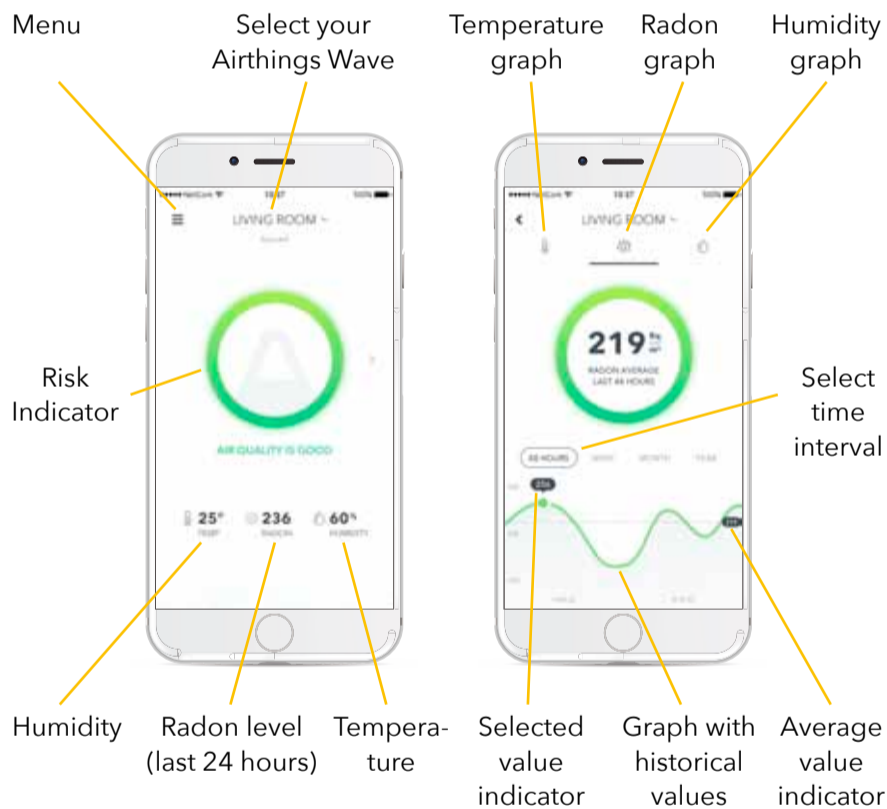
Wave in front of the detector to test the Wave function.



Make sure you always have Bluetooth enabled on your phone and the App running in the background. Every time you move within 10-15 meters / 30-50 feet of your device, the latest data will be downloaded automatically.



You will be notified if any actions are needed through the app or by email.



For the U.S.A. radon levels are shown in pCi/L

6 What does the color mean?

Spinning: Ready to pair.
Flashing: Paired.



The blue light is used to display Bluetooth status. When it is spinning blue, the device is ready for pairing and it will stay in that mode for 1 minute. Knock gently on the detector to restart pairing process or check status. If your detector has already been paired, blue light will flash twice.

Waiting for first result.



After a successful setup it takes 1 hour until the first radon measurement is available.

Air quality is good.



Your radon level is below the recommended level. If you have paired the device to a smart phone or tablet and given it the correct location, it will use the national recommended level. If no pairing or location is set it follows the WHO guidance, which is 100Bq/m³ (2.7 pCi/L).

Warning.
Above recommended level, keep on measuring.



You will get a yellow light if your levels have been above the recommended level, but a longer measurement is needed to get a qualified measurement.

Danger.
Above recommended level and action should be taken to lower your radon level.



Measurements are above the recommended level. Actions should be taken to lower radon levels.